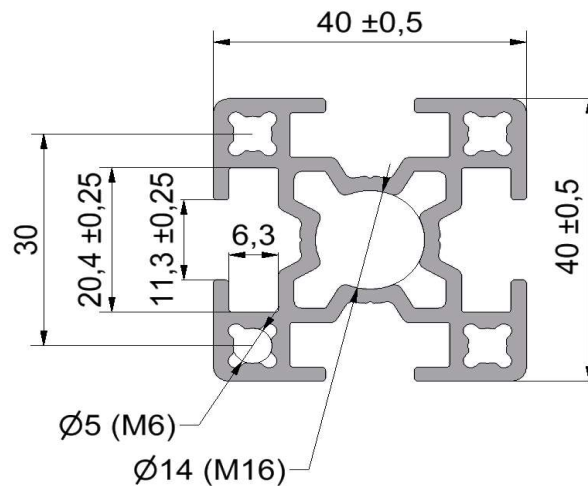


## Technical information

Art. No 100-1010



|                        | Ref. | Value            | Unit               |
|------------------------|------|------------------|--------------------|
| Profile dimension      |      | 40 x 40          | mm                 |
| General tolerance      |      | EN 755-9         |                    |
| Lenght                 |      | 5800             | mm                 |
| Material               |      | 6060 T66         | aluminum           |
| Surface treatment      |      | Anodized natural |                    |
| Profile area           | A    | 524,6            | mm <sup>2</sup>    |
| Weight per meter       | m    | 1,42             | kg                 |
| Area moment of inertia | I    | 90460            | mm <sup>4</sup>    |
| Section modulus        | W    | 4523             | mm <sup>3</sup>    |
| Modulus of elasticity  | E    | 70               | kN/mm <sup>2</sup> |